



WAREWASHING
HOOD-TYPE DISHWASHER

PROFI AMX/AUX

EFFICIENT - RELIABLE - INNOVATIVE

NEW



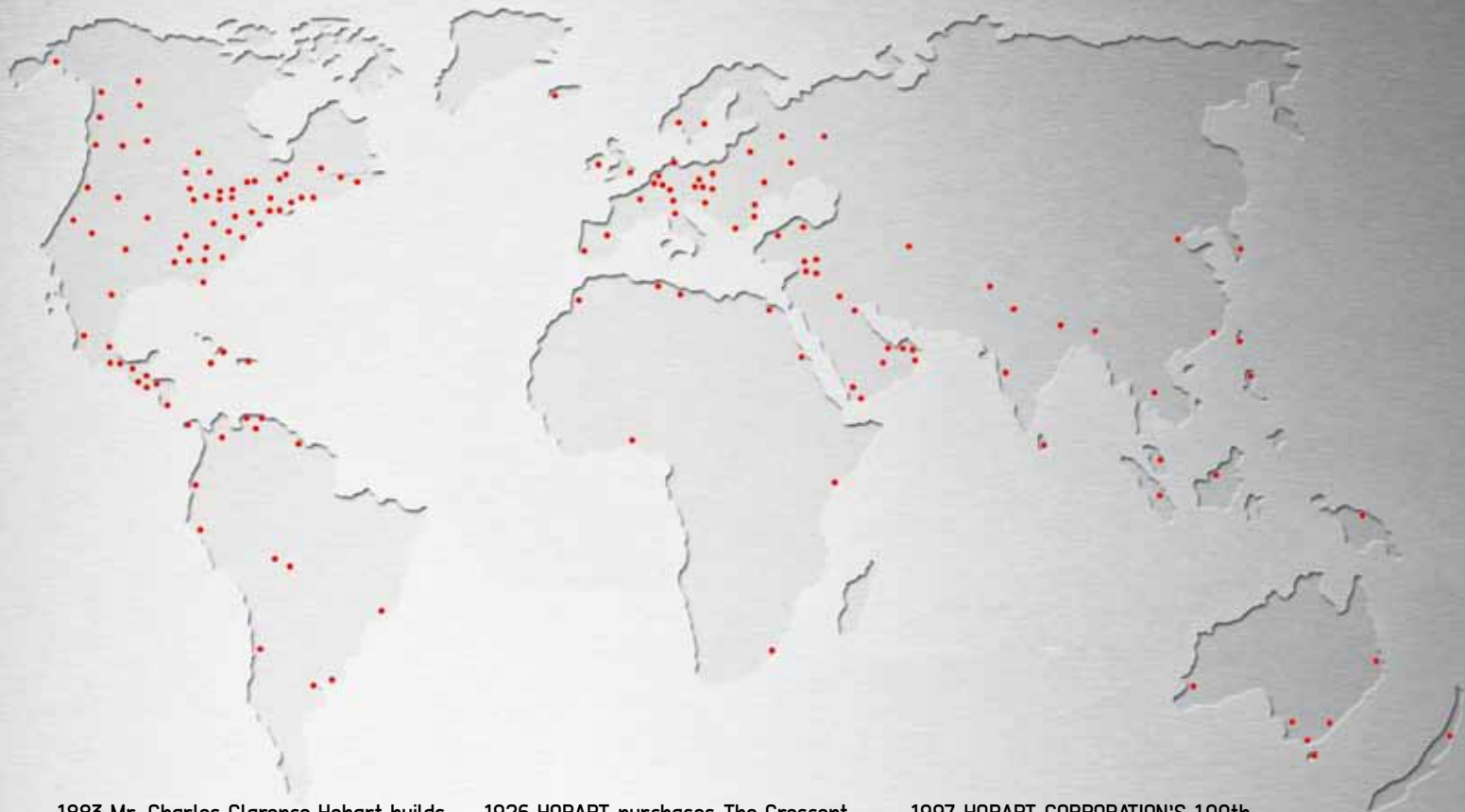

made in germany

MADE IN GERMANY

„Made in Germany“ has been synonymous with quality and reliability in the premium segment for a long time and still is today. A company can only maintain its hold on the market by keeping its promise to continually deliver high quality.

WORLDWIDE

Whether you need a completely new kitchen or a replacement item our competent subsidiaries and partners all over the world would be pleased to support you. It's nice to know we are always there.



- 1883 Mr. Charles Clarence Hobart builds his first engines and generators in Middletown, Ohio.
- 1886 J.C. Cochran receives the patent for the first dishwasher.
- 1897 The HOBART ELECTRICAL MANUFACTURING COMPANY was founded in Troy Ohio, through the acquisition of the engine and generator factory of the HOBART family.
- 1903 HOBART builds the first food processor (a self-contained powered coffee mill).

- 1926 HOBART purchases The Crescent Washing Machine Company, and enters the commercial warewashing market: the first warewashing machine carrying a HOBART label.
- 1930 Foundation of the HOBART MASCHINEN GESELLSCHAFT in Hamburg, Germany.
- 1953 HOBART receives the patent for the first flight-type dishwasher.
- 1960 Acquisition of the dishwashing department of the company K. Martin, Offenburg, Germany.
- 1980 Production plant in Elgersweier, Germany, was newly built.
- 1986 PREMARK INTERNATIONAL GROUP was formed in Deerfield, Illinois.

- 1997 HOBART CORPORATION'S 100th anniversary.
- 1999 Integration of PREMARK into ITW.
- 2004 HOBART relocates to Elgersweier
- 2006 Launch of HOBART's export activities
- 2007 HOBART's PREMAX line begins a new chapter in the annals of dishwashing technology. The PREMAX FTP flight-type dishwasher cuts water use by up to 50%, energy use by up to 30%, and use of chemicals by up to 80%.
- 2009 HOBART introduces the SENSOTRONIC, the world's first intelligent dishwashing technology
- 2010 Tenth record year in succession for HOBART



HOBART PHILOSOPHY

UNDERSTAND – SIMPLIFY – FOCUS – INNOVATE

This philosophy provides the continuing motivation to develop innovations, which are the best driver of economic development and a guarantee for job security. It is a philosophy of the essential, of customer value, of simplicity. A philosophy built on the conviction that things created for a purpose and with logic, do not need to be completely renewed, but must instead be subject to continuous evolution.

HOBART VISION

“WASH WITHOUT WATER“

Before PREMAX, a flight-type dishwasher with a 50% water saving would have been utopia. At HOBART, efficiency and responsible use of natural resources when developing new machines have always gone hand in hand. With PREMAX, the company has set a further milestone, and has further extended its leadership in innovation. But even so, HOBART is not satisfied with this. The company will not diminish the pace of its innovation, and will look for further opportunities to save even more. When the day arrives that a machine is able to wash without water, we already know, it will be a PREMAX.



HOBART FOCUS

INNOVATION

Without the readiness to invest in the future, without the natural reaction of always questioning ourselves, without interdisciplinary basic research and consistent customer focus, PREMAX would be inconceivable.

Worldwide, over 300 research and development engineers and global marketing teams, who identify customer requirements, as well as the company's own Tech-Center, with over 1,000 patent applications annually, develop innovative technology and make PREMAX possible.

ECOLOGY

The HOBART environmental protection program CO₂NSEQUENT has been in existence for some time. The program includes a large number of measures that are all related to protecting the environment. These measures are implemented in production, purchasing, the development and sale of products and in additional projects.

ECONOMY

Already in the early 1980s our E-formula set standards in energy saving and recovery which are still unique today. This innovative spirit found its fulfillment in the PREMAX line. The PREMAX flight-type dishwasher saves up to 50% water, 30% energy, and 80% chemicals in comparison with conventional technologies, making HOBART a model in terms of efficiency and economy.



1

2

3

4

1 „The grant funding approved by the federal government for our school has been put to best use, not least in our canteen. During our 45-minute lunch break, we cater for 750 pupils and can now do this with a single HOBART machine for pots, pans and cooking utensils.“

Martin Frey
School canteen,
Bad Oldesloe

2 „Before and after major events, our HOBART machine is running round the clock. Luckily, the machine has a huge capacity. Our team can thus concentrate on preparing our food.“

Stefanie Wandel
Catering und Partyservice,
Berlin

3 „Our HOBART twin rack machine is a vital member of our kitchen team. It is not only very powerful and reliable but also cleans everything perfectly.“

Johanna Uhlemann
Residential home for the
elderly, Saarbrücken

4 „Our region is blessed with a beautiful landscape and an unspoilt environment. I am therefore always interested in sustainable solutions that protect resources. The heat insulation and recovery systems from HOBART are exactly what I am looking for.“

Joachim Richter
Restaurant,
Sipplingen



1 | WASH RESULT

FINE FILTER SYSTEM GENIUS-X²

Permanently clean wash water is the key requirement for an optimal wash result with less detergent and water consumption. In the next generation of the fine filter system GENIUS-X², the wash water is continuously led through a system of filters. During the wash cycle the majority of soil particles are removed during the first phase of draining. Any remaining soil particles are retained in the filter and are then removed during the second stage of draining, just before the final rinse. The tank water is then replenished with 2.5 liter of fresh hot rinse water. This optimal regeneration ensures a perfect wash result. The GENIUS-X² cleans itself during the draining phase. GENIUS-X² helps to reduce water usage by up to 30%.

PATENT

WIDE ANGLE NOZZLE FAN

Wash efficiency depends largely on the distribution of the wash water and on avoiding any masked areas. Spraying angles and the precision of the wash jets are vital factors in achieving a powerful, searching wash action and the HOBART designed wide angle nozzles FAN provide a substantially broader and more precise spray pattern. Compared with conventional and fixed wash arm systems the wash water is distributed more efficiently, masking is avoided and the wash result, especially in the corners, is considerably improved.

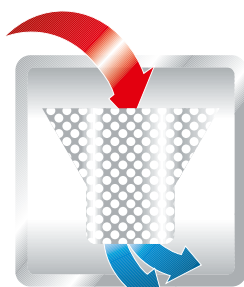
WASH SYSTEM ROTOR-X

A perfect wash result is only achieved if the detergent makes contact with the entire surface of the wash ware items, dissolving and binding the soil. Therefore the wash water must reach every point of the items, and the more thoroughly and intensively this occurs, the better the result. The rotating wash system ROTOR-X consists of two 4 spoke wash arms, one above and one below. The rotation of the wash arms creates the necessary mechanical wash action, and at the same time the precise wash pattern of the wide angle nozzles FAN ensure that the wash water reaches every part of the wash ware. The wash system ROTOR-X guarantees an outstanding cleaning result over the entire surface.

WASH PROGRAM POWER-PLUS

The longer the dishes are left before being washed, the harder food residues stick to the crockery. After an extended period of drying on, it may be necessary either to prewash the ware, or to run it several times through the dishwasher in order to achieve a hygienic wash result. The wash program POWER-PLUS delivers increased washing pressure, through pumps connected in series. Contrary to conventional programs, even difficult to remove food residues are washed off without the need for pre-cleaning. The wash program POWER-PLUS guarantees a perfect wash result even with difficult to remove food residues.

STRONG – HYGIENIC – CLEAN



The fine filter system GENIUS-X², with integrated pre-washing process, filters the wash water continuously and then pumps out the soil particles.

EVERYWHERE – CONSTANT



With the wash system ROTOR-X, the detergent works over the entire surface of the items being washed.

HOBART



PROFI AMX/AUX

EFFICIENT – RELIABLE – INNOVATIVE

1 | WASH RESULT

PERMANENT WASH PROGRAM

The permanent wash program is built-in as standard and can be adapted anytime to heavily soiled wash ware. No need to run a second cycle, only the wash phase is extended. No additional detergent dosing or rinsing is necessary. Time is saved and operation costs are reduced.

HEAT ELEMENT ECOTHERM

A consistently high wash temperature extracts maximum cleaning performance from the wash water. HOBART research has established that higher washing temperatures optimize detergent performance. ECOTHERM ensures a constant 60°C even during continuous use. The extra heat absorbed by the washed ware also improves the drying result.

STRAINER CONTROL SYSTEM PROOF

Clean wash water and accurate detergent dosage are key factors in achieving a clean and hygienic wash result. An efficient filter system is useless if it is not in the right position. The strainer control system PROOF has an interlock which is continuously monitored by the control SMARTRONIC. The wash cycle can only be activated if the filter is correctly positioned.

EFFICIENT – CONSTANT



The heat element ECOTHERM maintains the wash water at a constant temperature even in continuous operation.

2 | HANDLING

SINGLE BUTTON SMARTRONIC

In any busy establishment the dishwasher must be easy to operate and customers tell us that having simple, understandable controls is of big importance. The control SMARTRONIC with single button operation indicates the machine status in clear, self explanatory colors. Only the essential functions such as filling and heating, washing and rinsing, ready for use, and draining are indicated. Incorrect operation and misuse are eliminated. Additional functions can be accessed as required.

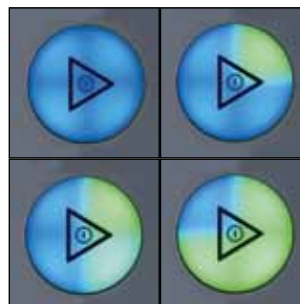
REMAINING TIME INDICATOR **NEW**

The remaining time indicator visibly shows the progress of the running wash program. The four segments of the STARTER color up clockwise in sequence. Even in peak times personnel can set their priorities at a glance and work more efficiently.

EASY – INTELLIGENT



The simple control SMARTRONIC combines the most important functions into just one button STARTER.



The button STARTER shows the remaining cycle-time and the operation status in self-explanatory colors.

HOBART

2 | HANDLING

**PATENT
PENDING**

HOOD SYSTEM VAPOSTOP NEW

When opening a conventional dishwasher hot steam escapes from the machine. The hood concept E-STORE remain the most part of the steam in the fully enclosed 4sided hood. The additional hood system VAPOSTOP extracts the other part of the moisture saturated air by means of a multistage ventilation. Due to the exhaust the escape of the steam is effectively avoided. So removing the wash ware is much easier for the operator. The input of humidity into the room decreases by 63% compared to ordinary machines.

MINIMUM HUMIDITY RELEASE INTO THE ROOM NEW

The comprehensive concept consisting of a fully closed and insulated hood with the optional door system VAPOSTOP minimizes the release of steam into the room. Only four grams of water vapour are released to the ambient air per cycle. Most of the steam at a temperature of 60°C remains inside the hood. The rest of the vapour is extracted by the VAPOSTOP and mixed with ambient air in the exhaust air channels where it condenses for recycling inside the machine. This significantly improves the room climate and leads to a reduced load on the kitchen ventilation system.

FREE OF STEAM – CONVENIENT



The hood opening system VAPOSTOP avoids effectively the escape of steam when loading and unloading the machine.



PROFI AMX/AUX

EFFICIENT – RELIABLE – INNOVATIVE

REFILL SIGNAL

The integral low level signal indicates when detergent and rinse aid need refilling. This guarantees a perfect wash result every time.

WATER SOFTENING SYSTEM NONSTOP

Lime scale is a major cause of poor wash results and machine problems. Deposits build up on machine parts, in the boiler and on heating elements reducing efficiency, increasing running costs and causing failures. Detergent performance is also significantly reduced.

The optional integral water softening system NONSTOP provides continuously and automatically soft water and eliminates the downtime or extended program times typically associated with other integral softener systems. The dishwasher, and in particular, the heating elements are maintained in optimum working order for efficient performance.

FILTER OBSTRUCTION SENSOR

If there is a lot of soil in the machine, the filter may become clogged. The filter obstruction sensor registers this, and displays a warning on the control panel. This function assists the operating personnel and ensures proper ongoing dishwashing operation.

CONTROL – PERMANENT



An easily accessible filler cap and a large refill opening allow quick and simple salt replenishment for the water softener NONSTOP.

HOOD DESIGN EASY-LIFT

The physical effort required to open and close the hood when loading and unloading the machine is reduced considerably.

This is significant from an ergonomic point of view.

The EASY-LIFT hood is the easiest hood on the market to operate, thanks to its innovative design. The effort needed for opening is 50% less than with normal machines. This reduces the strain on operators and makes their work easier.

AUTOMATIC HOOD LIFT

The optional automatic hood lift opens the hood automatically at the end of the program, and closes it at the push of a button.

The automatic hood lift delivers maximum convenience for the operators.

**PATENT
PENDING**

HYGIENE CYCLE ACTIVE **NEW**

Over a period of time minerals and dirt particles can build up inside the machine. Together with the chemical tablets INTENSIVE HOBART's hygiene cycle ACTIVE effectively removes these deposits leaving a clean machine with a fresh smell.

SAFE – CONVENIENT



The hood design EASY-LIFT reduces the physical strain on operators.



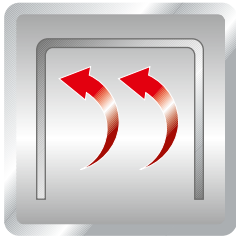
3 | ECONOMY

HOOD CONCEPT E-STORE

When opening the hood of a conventional machine, the hot steam escapes from the hood's open rear side. This cools the interior space and the hood itself. During the subsequent wash program, the cooled interior space and the cooled hood take heat from the wash water. To restore the necessary temperature in the machine, this energy loss must be compensated by extra heating power. The hood concept E-STORE is based on a fully enclosed 4 sided hood. When the hood is opened, the hot steam remains in the hood. The heat energy is retained, and does not need to be replaced in the subsequent wash process. This saves up to 3 kWh (AMXT/AUXXT 6 kWh) or up to approx. 820 € (AMXT/AUXXT 1,640 €) per year*. The E-STORE hood concept saves energy and reduces operating costs.

*based on 15 Cent/kWh, 5 h/day, 365 days/year

EFFICIENT – OPTIMAL



With the hood concept E-STORE, the hot steam remains in the hood, saving energy and protecting your wallet.



The energy-saving hood concept E-STORE also helps improve the room climate.

HEAT AND SOUND INSULATED HOOD

15 mm hood insulation helps to retain further valuable energy during operation. The wash water does not lose heat through the hood which increases heat conservation and thereby saves energy. The fully enclosed hood enhances the energy-saving effect of the insulation.

WATER SAVING 3-PLUS

HOBART's water saving system 3-PLUS reduces operating costs by up to 1,640 € per year. Conventional pre-washing using a hand brush consumes approximately 4 liter of tap water per rack. This water goes straight down the drain after being used only once. With HOBART's water saving system 3-PLUS, all water that enters the machine is used 3 times: for rinsing; for wash water regeneration; and for manual pre-washing (manual removal of encrusted elements using a hand brush). In this process, the machine's drainage water is transferred to a tank after being filtered. A pump then transports this filtered water to the pre-washing station before the water is discharged for drainage. Unlike the conventional pre-washing process with fresh tap water, HOBART's system 3-PLUS uses warm wash water, which still contains detergent. Apart from washing away coarse residues, the detergent in the wash water loosens encrusted residues more rapidly and far more efficient. As a result less water is needed for manual pre-washing. When the tank is empty, fresh tap water is added to it automatically.

**based on 15 Cent/kWh, 4 €/m³ water costs, 150 racks/day, 365 days/year

RINSE SYSTEM ACCURINSE

Ensuring constant temperature and volume of clean rinse water is vital to achieve not only clean, but hygienically clean table ware.

The HOBART system "pulls" rather than "pushes" the rinse water through the booster and is totally independent of flow pressure on site thus preventing any mixing with incoming cold water.

The rinse system ACCURINSE delivers precisely 2.5 l (AMXT/AUXXT 5 l) of fresh water at approx. 80°C every cycle to ensure perfect hygiene standards. In addition the precision of ACCURINSE saves up to 30% water, energy, detergent and rinse aid.

HEAT RECOVERY E-SAVE

In conventional professional dishwashers, the soil is pumped out of the tank with a fixed quantity of water after each wash cycle. The waste water has an average temperature of approx. 60°C, and so the energy stored in the water as heat is lost. In the heat recovery system E-SAVE the hot waste water passes against the incoming cold water in a heat exchanger. The heat exchange which thus occurs heats the cold water up to approx. 45°C. As a result, the energy required to reach the final rinse temperature of approx. 85°C is reduced by as much as 6.5 kWh (AMXT/AUXXT 13 kWh) and saves up to 1,800 € (AMXT/AUXXT 3.560 €) per year.* Heat recovery E-SAVE uses the energy already in the machine, and saves operating costs.

* based on 15 Cent/kWh, 5 h/day, 365 days/year

ECOLOGICAL – MULTIPLE



The water saving system 3-PLUS can save you up to 1,640 €, as fresh water is re-used three times.

ECOLOGICAL – SIMPLY EFFICIENT



Save up to 1,800 € or 3,560 € respectively on your energy bill with the heat recovery system E-SAVE.



4 | FLEXIBILITY

XL WASH CHAMBER

The extra wide hood and the increased loading height of the AUXXL model allow for the easy insertion of EN standard boxes and racks. The large hood offers space for two 1/1 GN boxes, or up to eight loading trays and 600 x 400 mm serving trays.

DOUBLE THE STANDARD LOADING CAPACITY

In a single 52- or 60-second cycle, the AMXT and AUXXT models can process two racks with crockery, serving and compact trays as well as pots and pans. The machine can also simultaneously process two EN standard boxes or racks. It does away with unnecessary waiting times and allows for a continuous cleaning workflow.



The AUXXL model comes with an extra wide wash chamber and an increased loading height for washing large items.



The AMXT/AUXXT models wash two racks per wash cycle.

5 | FEATURES

MODEL	AMX MODEL						AUX MODEL					
	AM900	AMX	AMXR	AMXX	AMXXR	AMXT	AUXX	AUXXR	AUXXL	AUXCLR	AUXXT	AUXXTR
WASH RESULT												
Fine filter system GENIUS-X ²	–	●		●		●	●		●		●	
Wash program POWER-PLUS	–	–		–		●	●		–		●	
Wash system ROTOR-X	–	–		●		●	●		–		●	
Wide angle nozzles FAN	●	●		●		●	●		●		●	
Heat element ECOTHERM	●	●		●		●	●		●		●	
Permanent wash program	–	–		●		●	●		–		●	
Strainer control system PROOF	–	●		●		●	●		●		●	
Rinse aid dispenser	●	●		●		●	●		●		●	
Detergent dispenser	●	●		●		●	●		●		●	
HANDLING												
Drain pump	●	●		●		●	●		●		●	
Rinse pressure pump	●	●		●		●	●		●		●	
Single button SMARTRONIC	●	●		●		●	●		●		●	
Remaining time indicator	–	●		●		●	●		●		●	
Hood system VAPOSTOP	–	○		○		–	○		○		–	
Refill Signal	–	●		●		●	●		●		●	
Water softening system NONSTOP	○	○		○		○	○		○		○	
Filter obstruction sensor	–	●		●		●	●		●		●	
Hood design EASY-LIFT	●	●		●		●	●		●		●	
Automatic hood lift	–	○		○		○	○		○		○	
Hygiene cycle ACTIVE	–	●		●		●	●		●		●	
Corner version possible	●	●		●		●	●		●		●	
ECONOMY												
Hood concept E-STORE	●	●		●		●	●		●		●	
Heat and sound insulated hood	–	○	●	●		●	●		●		●	
Rinse system ACCURINSE	●	●		●		●	●		●		●	
Heat recovery E-SAVE	–	–	●	–	●	–	●	–	●	–	●	–
FLEXIBILITY												
XL wash chamber	–	–		–		–	–		●		–	
Double the standard loading capacity	–	–		–		●	–		–		●	
RACK EQUIPMENT												
Plate rack P-18-12	1 x	1 x		2 x		4 x	2 x		1 x		4 x	
Universal rack B-00-07	1 x	1 x		1 x		–	1 x		–		–	
Universal rack C-01-07	–	–		–		1 x	–		1 x		1 x	
Cutlery rack with 8 boxes CB8	1 x	1 x		1 x		–	1 x		–		–	
T-06-09 dish/tray rack	–	–		–		–	–		1 x		–	
Universal insert	–	–		–		–	–		○ (530 x 655 mm)		–	

● incl. ○ optional – Not available

6 TECHNICAL DATA

	AMX MODEL					
MODEL	AM900	AMX	AMXR	AMXX	AMXXR	AMXT
Cycle times in sec. [1]	60 / 90 / 120	60/90/120		52/75/120/> 120		60/90/120
Capacity [2]						
Racks/h	60	60		70		120
Dishes/h	1,080	1,080		1,260		2,160
Glasses/h	2,160	2,160		2,520		4,320
Temperature in °C						
Wash temperature approx.	60	60		60		60
Rinse temperature approx.	82	85		85		85
Tank volume liter	21	21		33		40
Fresh water consumption/cycle liter	2.5	2.5		2.5		5
Pump capacity in kW/l/min	0.7/350	0.7/350		1.1/600		2 x 0.7/350
Heat output in kW						
Tank	2.5	2.5		2.5		2 x 2.5
Booster kW*	6.15	6.15		12.3/6.15	6.15	12.3/6.15
Total loading in kW	7	7		15.9/9.7	7.3	18.8/12.6
Fuse in A	3 x 16	3 x 16		3 x 35 3 x 25	3 x 16	3 x 35/3 x 20
Nominal voltage in V/Hz/N-PE	400/50/3	400/50/3		400/50/3		400/50/3
Dimensions in mm						
Width	635	635		635		1.268
Depth	635	635		635		635
Height	1,510	1,510		1,510		1,510
Open hood height	1,995	1,995		1,995		1,995
Loading height	440	440		440		440
Rack size	500 x 500 / 500 x 530	500 x 500 / 500 x 530		500 x 500 / 500 x 530		500 x 500 / 500 x 530

WATER TREATMENT

WATER SOFTENING SYSTEM

to protect against calcium deposits

Mod. SE output 1,600 litres at 10° d (total hardness)

PARTIAL DESALINATION CARTRIDGES

for sparkling wash results when the raw water contains minerals

Series TE output of 7,000 to 16,000 litres at 10° d (carbonate hardness)

FULL DESALINATION CARTRIDGES

for sparkling wash results when the raw water has a high mineral content. Series VE output of 3,100 to 5,000 litres at 10° d (total salt content)



[1] The machine is equipped with an automatic cycle-time control in order to achieve a hygienic rinse temperature even for cold-water utilities or reduced heating performance.
[2] Theoretical performance
*Multi-Setting: The heater output can be reduced in situ from 12.3 kW to 6.15 kW if required.

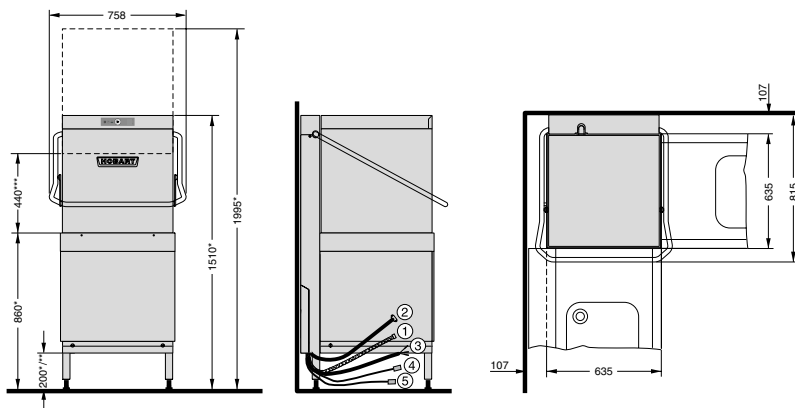
	AUX MODEL					
MODEL	AUXX	AUXXR	AUXXL	AUXCLR	AUXXT	AUXTR
Cycle times in sec. [1]	52/90/240/> 240		52/90/240/> 240		52/90/240/>240	
Capacity [2]						
Racks/h	70		70		140	
Dishes/h	1,260		1,260		2,520	
Glasses/h	2,520		2,520		5,040	
Temperature in °C						
Wash temperature approx.	60		60		60	
Rinse temperature approx.	85		85		85	
Tank volume liter	40		40		2 x 40	
Fresh water consumption/cycle liter	2.5		2.5		5	
Pump capacity in kW/l/min	2 x 1.1/600		2 x 1.1 / 600		4 x 1.1 / 600	
Heat output in kW						
Tank	2.5		2.5		2 x 2.5	
Booster kW*	12.3 / 6.15	6.15	12.3 / 6.15	6.15	12.3 / 6.15	
Total loading in kW	17.1 / 10.9	8.5	17.1 / 10.9	8.5	21.7 / 15.6	
Fuse in A	3 x 35 3 x 25	3 x 16	3 x 35 / 3 x 25	3 x 16	3 x 50 / 3 x 35	
Nominal voltage in V/Hz/N-PE	400 / 50 / 3		400 / 50 / 3		400 / 50 / 3	
Dimensions in mm						
Width	635		735		1.268	
Depth	635		635		635	
Height	1,510		1,610		1,510	
Open hood height	1,995		2,195		1,995	
Loading height	440		540		440	
Rack size	500 x 500 / 500 x 530		500 x 500 / 500 x 530		500 x 500 / 500 x 530	

PROFI AMX/AUX

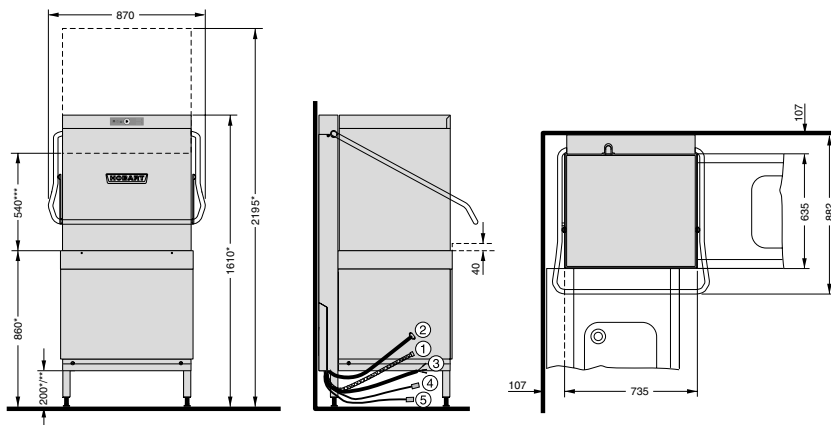
EFFICIENT – RELIABLE – INNOVATIVE

7 DRAWINGS

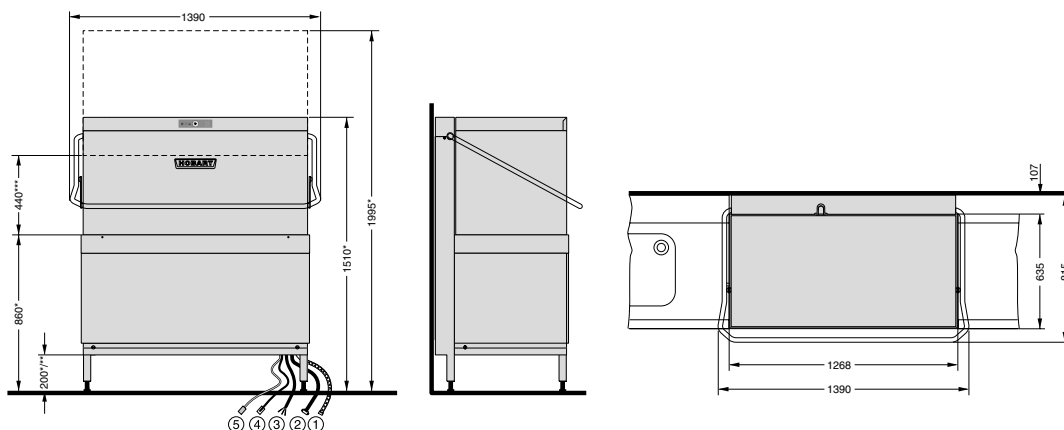
AM900 / AMX / AUX



AUXXL



AMXT/AUXXT



* ± 25 mm adjustable feet
** 110 mm for models with drain heat recovery
*** 400 mm for models with hood lift

WAREWASHING
HOOD-TYPE DISHWASHER

PROFI AMX/AUX

EFFICIENT – RELIABLE – INNOVATIVE

ALWAYS RIGHT

Whether for restaurants, hotels, canteens, bakeries, butcher shops or catering businesses – the HOBART large hood model range includes a machine to meet your specific requirements.

The AUXXL large hood washer cleans not only crockery and utensils but also large items such as silver trays, baskets and boxes.

The AMXT/AUXXT twin rack dishwashers are the right partner for busy kitchens – especially in residential and nursing homes or the catering business. As two racks can be processed simultaneously, double the amount of goods can be cleaned within the shortest period of time.

Apart from greater flexibility, the HOBART hood-type dishwasher guarantees excellent cleaning results and sets new standards as regards economy: thanks to the use of the latest technology and a tightly sealed hood, operating costs can be reduced by 30%. The heat recovery system E-SAVE can save you up to 3,560 € per year.



WAREWASHING

COOKING

FOOD PREPARATION

WASTE TREATMENT

SERVICE

HOBART GMBH

Robert-Bosch-Straße 17

77656 Offenburg/GERMANY

Phone +49(0)781.600-28 20

Fax +49(0)781.600-28 19

email: info-export@hobart.de

www.hobart-export.com

EFFICIENT – RELIABLE – INNOVATIVE

Member of the *ITW* Food Equipment Group Europe

